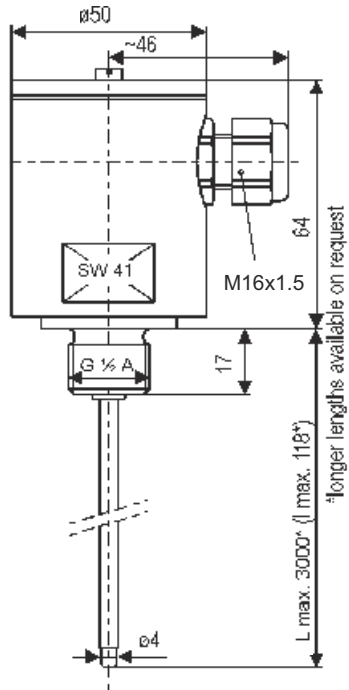


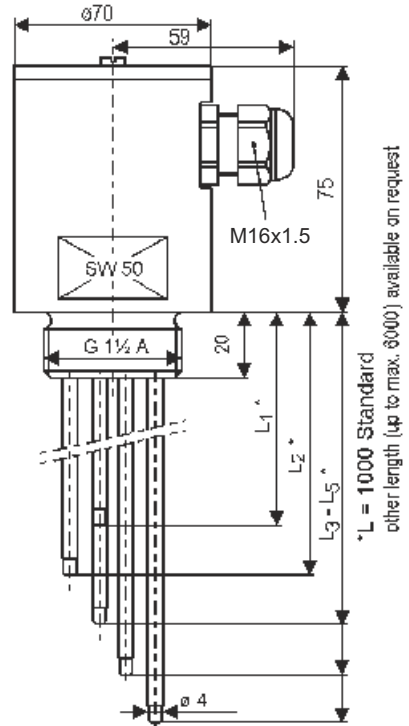
Conductive Limit Level Electrodes - Overview



Single Rod Electrode (IP54)

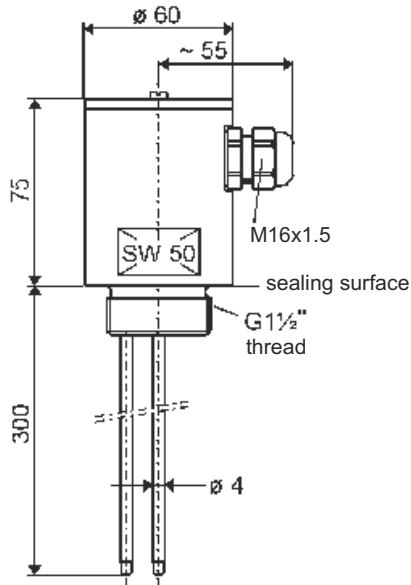


Multiple Rod Electrode, here with 5 rods (IP65)

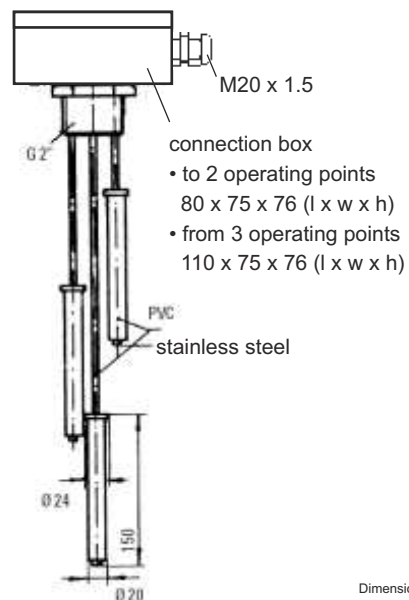


Limit Level Electrodes

Double Rod Electrode § 19 WHG (IP65)



Multiple Suspension Electrode, here w. 3 rods (IP54)



Specifications are subject to change.
 H:\KonduktER-142-143-db-en/Rev. 01 - 20.06.2008

| Rod Electrodes | |
|-----------------------|--|
| Pressure | 10 bar |
| Operating temperature | -20 °C to +90 °C |
| Material | screw connection and head: Polypropylene rod: stainless steel (1.4571) / coating: Polyamide |

| Suspension Electrodes | |
|-----------------------|---|
| Pressure | pressureless |
| Operating temperature | up to +60 °C |
| Material | screw connection: PVC electrode body: PVC cable: PVC rod: stainless steel (1.4571) |

Instrumentation For Water Industry

NIVUS GmbH • Im Taele 2 • 75031 Eppingen, Germany • Internet: www.nivus.com
 Phone: +49 (0)7262 9191-0 • Fax: +49 (0)7262 9191-999 • E-mail: info@nivus.com

