

NivuLog NANOamr

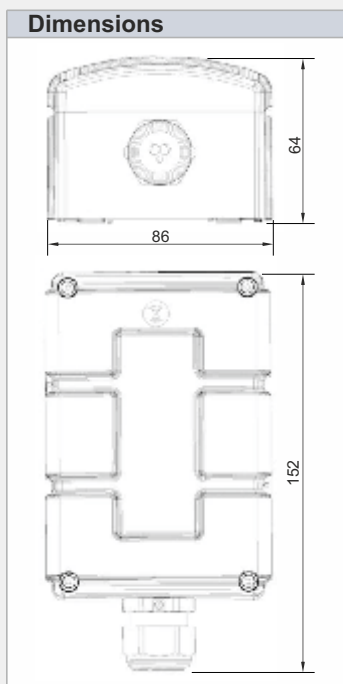


- Configuration via Smartphone App
- Battery lifetime up to 5 years through integrated MicroPower® technology
- Extremely compact construction
- Built-in failsafe SIM-Chip
- Real - time synchronisation via server
- Measurement and transmission cycle free programmable
- Very quick and cost-efficient commissioning
- Very high tightness protection degree IP68

NivuLog NANOamr

NivuLog NANOamr

NivuLog NANOamr is a compact transmission device for direct connection of meters. It comes with four freely configurable inputs. The application is real time synchronised with the D2W server system. The integrated SIM-Chip promises easy handling and it is ideal for long-term use.



Applications	
	<ul style="list-style-type: none"> • Water meter • Energy meter • Remote meter readout
Technical Data	
Inputs	4 x digital (counter)
Power supply	Battery
Data storage	118 days with 10 min. recording cycle
Enclosure	High performance composite
Dimensions (mm)	152 x 86 x 64 mm (l x h x d)
Weight (battery included)	510 g
Protection class	Ip68
Ambient temperature	-20 °C ... +60 °C
Storage temperature	-30 °C ... +85 °C
Relative humidity	15 % ... 90 % r.H.
Electromagnetic compatibility	EN61326-1
Safety requirements	EN61010-1
Transmission	GPRS Quad Band
SIM	integrated SIM-Chip
Status display	LED for device status
Antenna Connection	TNC-F

Specifications are subject to change.
H:\nm0-nano-amr-db-en.cdr / 01.2019

