

LEVEL Hydrostatic, Pressure
 NivuCont S
 Transmitter

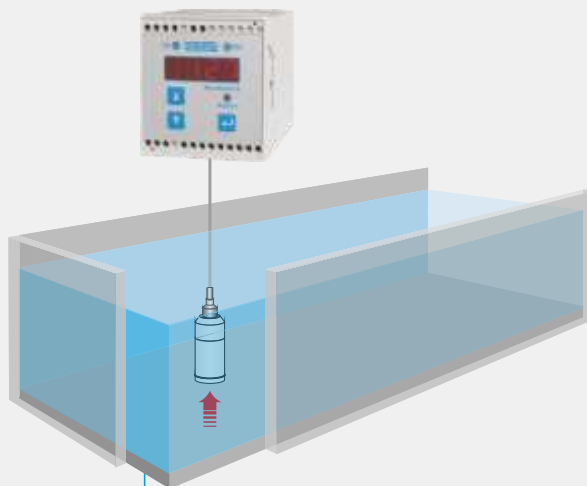


- 3 Relays
- Pump exchange
- DIN rail and panel mount enclosure
- Easy-to-read LED display
- Ex approval (optional)

NivuCont S

The NivuCont S is a process measurement transmitter for two and three wire sensor supply. The unit has all the qualities a powerful process measurement transmitter must have.

There are two free programmable relays available for limit values with hysteresis for min-, max- as well as for pump exchange action. One more error report relay and a scaleable galvanically isolated 0/4 - 20 mA output can be used for control purposes and for measurement value evaluation.



Specifications are subject to change.
 H:\NC_Syncs-db-en.cdr / Rev. 02 - 27.06.2012

Instrumentation For Water Industry

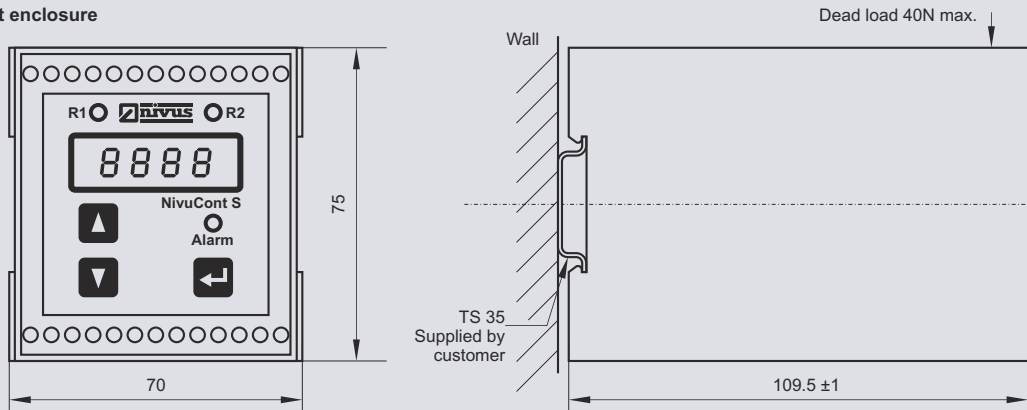
NIVUS GmbH • Im Taele 2 • 75031 Eppingen, Germany • Internet: www.nivus.com
 Phone: +49 (0)7262 9191-0 • Fax: +49 (0)7262 9191-999 • E-mail: info@nivus.com



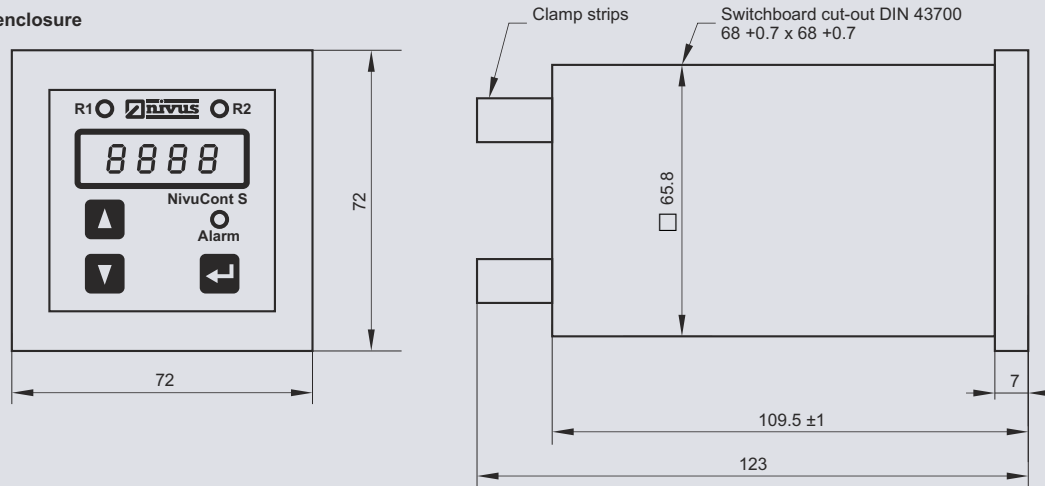
Specifications

Enclosure dimensions

DIN rail mount enclosure



Panel mount enclosure



Dimensions in mm

Transmitter

Power supply	<ul style="list-style-type: none"> • 230 V AC, 50 - 60 Hz, ±10 % or • 18 - 30 V DC
Power consumption	3 W
Display	4-character 7 segment LED display red, character height 10 mm
Analog input	power supply 2- or 3-wire sensor: 24 V DC, 4 - 20 mA
Analog output	output range: 0/4 - 20 mA
Load	max. 400 Ohm
Environmental conditions	<ul style="list-style-type: none"> • temperature range: -20 °C to +60 °C • relative humidity: max. 90 %
Ex approval (option)	II (1) GD [Ex ia] IIC

Relays	<ul style="list-style-type: none"> • 2 x free programmable • 1 x alarm function: SPDT (single pole double throw) switching voltage: min. 100 mV, max. 250 V AC switching current: max. 6 A contact rating: max. 300 VA
Enclosure	Noryl plastic; Clamp Strips IP20, Enclosure IP40 <ul style="list-style-type: none"> • DIN rail mount enclosure: 70x75x109.5 mm (wxhxd) • panel mount enclosure: 72x72x123 mm (wxhxd)

You can find more information in the instruction manual or on www.nivus.com

Specifications are subject to change.
H:\NC_Sivcs-db-en.cdr / Rev. 02 - 27.06.2012