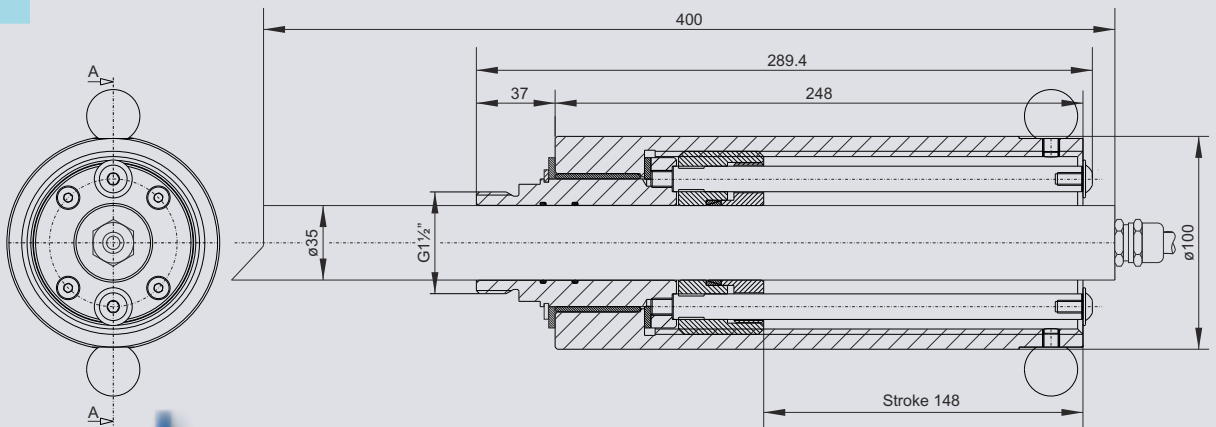




- Easy sensor installation and removal under process conditions
- Suitable for pressure pipes
- For pipe sensors with 35 mm outside diameter



Extraction Tool

Dimensions in mm



## Extraction Tool for Pipe Sensors

Manual Extraction Tool for Pipe Sensors with 35 mm outside diameter.

This easy-to-operate tool enables to extend and to retract 1 1/2" flow velocity sensors into/from process pipelines under operational conditions without the use of additional tools.

The extended sensor allows to clean process pipe-lines.



Specifications	
Overall length	290 mm
Outside diameter	100 mm
Retractable length	sensor / stroke: approx. 150 mm
Weight	approx. 5.5 kg
Material	AlMg-alloy, brass
Connections	R 1 1/2" outside screw thread
Max. Pressure	4 bar

You can find more information in the instruction manual or on [www.nivus.com](http://www.nivus.com)

Specifications are subject to change. H:\1\_eng\Sensoren\Austahramatur\iso-a-db-en.cdr / Rev. 02 - 07.03.2013

